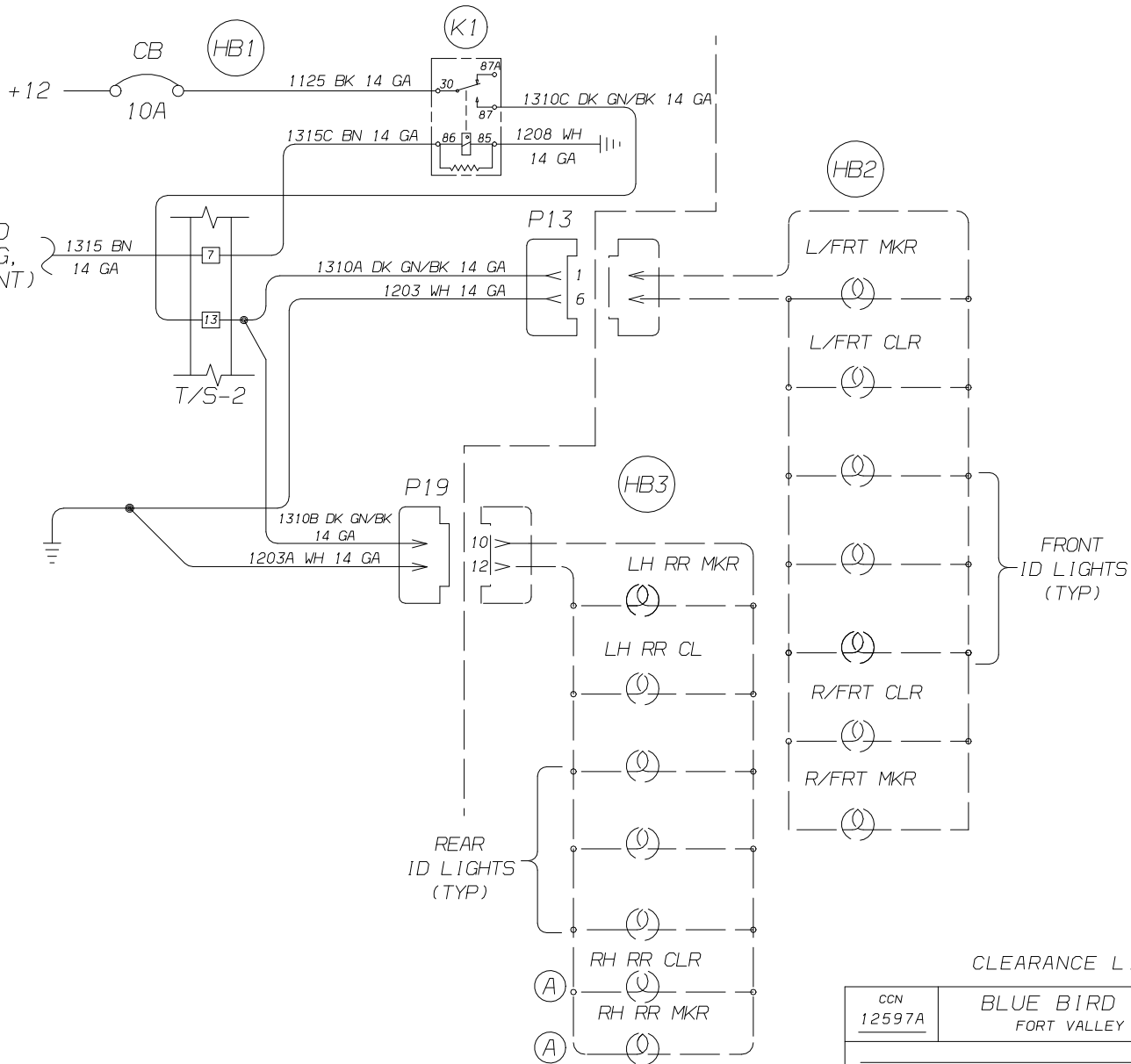



CB12 NO BODY SOLENOID  
30320-01  
30320-03  
30320-04  
  
CB24 30320-02  
30320-05

TAIL LIGHT FEED  
(SEE DIAGRAM, WRG,  
STANDARD EQUIPMENT)



CLEARANCE LIGHTS, SEPERATE SWITCH

CCN 12597A	BLUE BIRD CORPORATION FORT VALLEY GEORGIA, U. S. A.		SCALE NONE
DIAGRAM, WRG, FEATURE 30101-02			
AFFD/GM			
DR. 6/15/99	BY DL	B	0015028
APP. 9/17/99	BY DL		

LET.	WAS	REVISIONS	DR.	APP.	CCN
A	----	RELOCATED RH RR MKR/CLR LGTS FROM HB4 TO HB3.	MM	MM 5/30/06	13186L

03/08/2008  
 19, 2006  
 15.47.08  
 FROM ME

INACTIVATES NOS. 1945260