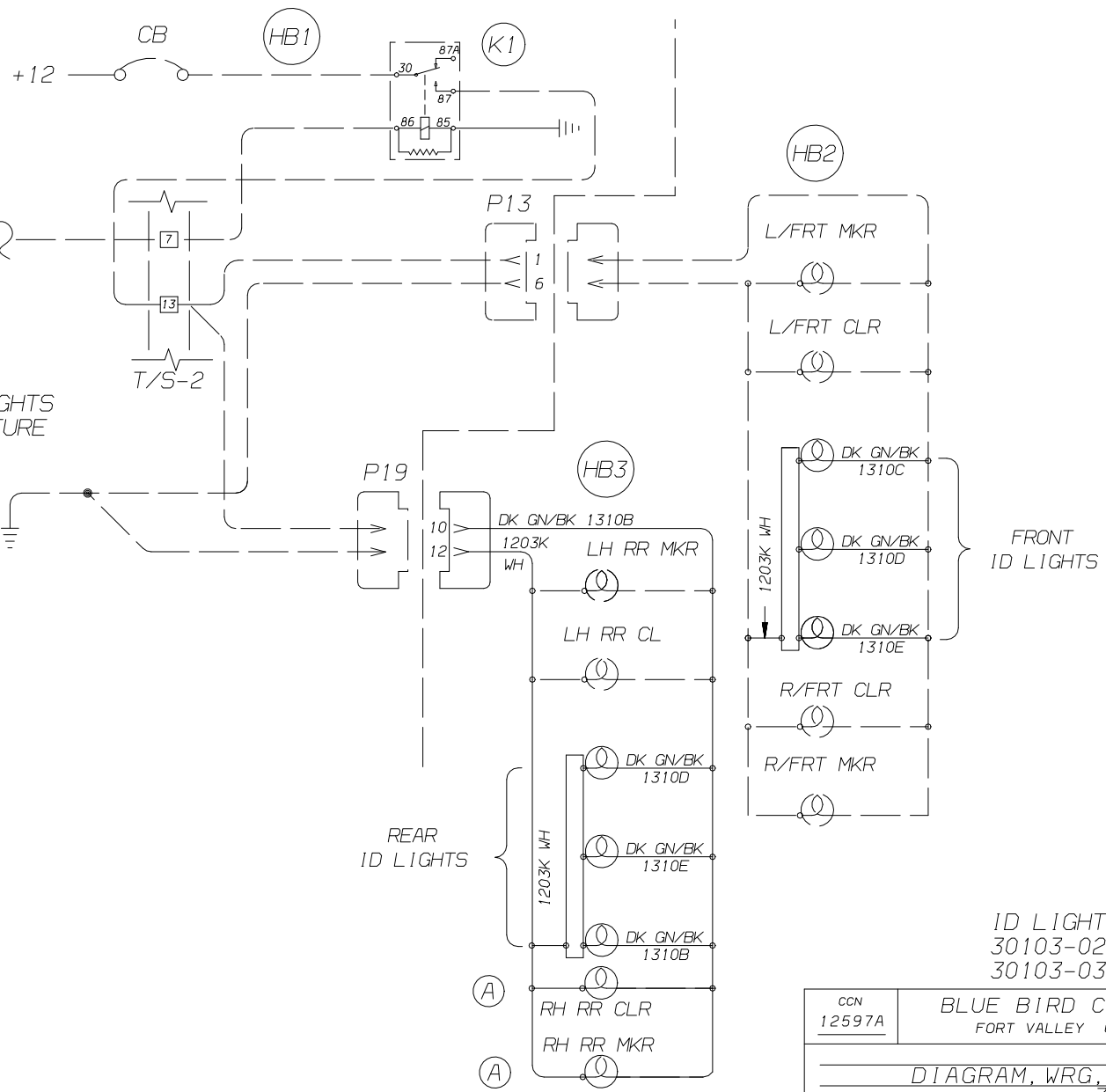


CB12 NO BODY SOLENOID
30320-01
30320-03
30320-04

CB24 30320-02
30320-05

TAIL LIGHT FEED
(SEE DIAGRAM, WRG,
STANDARD EQUIPMENT)


CLEARANCE LIGHTS
CONTROL FEATURE
(TYP)



FRONT
ID LIGHTS

REAR
ID LIGHTS

ID LIGHTS, 3 AMBER, 3 RED
30103-02 P122, W/SHIELD
30103-03 TEAR DROP

CCN 12597A	BLUE BIRD CORPORATION FORT VALLEY GEORGIA, U. S. A.		SCALE NONE
DIAGRAM, WRG, FEATURE 30103-02, 30103-03			
AFFD/GM			
DR. 6/15/99	BY DL	B	0015035
APP. 9/17/99	BY DL		

A	----	RELOCATED RH RR MKR/CLR LGTS FROM HB4 TO HB3.	MM	MM 5/30/06	13186L
INACTIVATES NOS. 1954247					
LET.	WAS	REVISIONS	DR.	APP.	CCN

15.52.41
 19, 2006
 03/08/2008
 03/08/2008