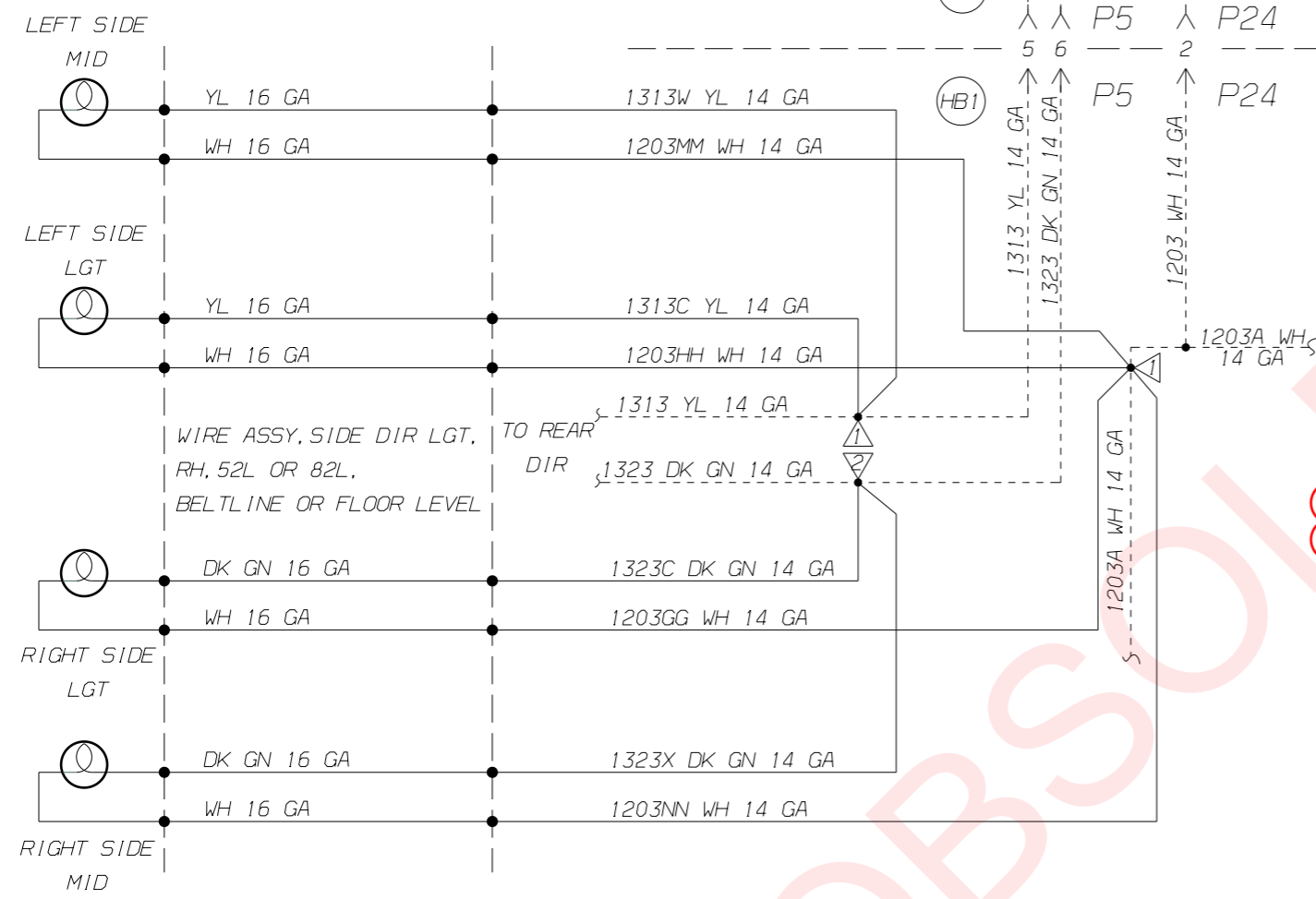


REVISION	F	11/12/2008	Project	Was	REDRAWN IN Smarteam.	ADDED FEA 30117-26, 27.	UPDATED FEATURE
DR AWS		APP TD	B01035	---		TO DESCRIPTION	

(SEE "DIAGRAM, WIRING, MASTER CHASSIS" TO COMPLETE CIRCUIT)

RH DIRECTIONAL
LH DIRECTIONAL



- 30117-01 LIGHT, DIR, SIDE, SEALED SHOCK MT, FRT
- 30117-03 LIGHT, DIR, SIDE, FED-MOGUL, FRT
- 30117-05 LIGHT, DIR, SIDE, M160 LED, FRT
- 30117-07 LIGHT, DIR, SIDE, M160 LED, RR
- 30117-09 LIGHT, DIR, SIDE, SEALED, REAR
- 30117-13 LIGHT, DIR, SIDE, PETER LED, FRT FLR LINE
- 30117-15 LIGHT, DIR, SIDE, MID MT, LED
- (F) 30117-26 LIGHTS, DIR, SIDE, SOUNDOFF, 3-INCH LED, FRT
- (F) 30117-27 LIGHTS, DIR, SIDE, SOUNDOFF, 3-INCH LED, RR
- 30121-03 WIRING, DIR, SIDE, FRONT, BELTLINE
- 30121-04 WIRING, DIR, SIDE, FRONT, FLOORLINE
- 30121-05 WIRING, DIR, SIDE, REAR, BELTLINE
- 30121-10 WIRING, DIR, SIDE, MID, BELTLINE

SIDE DIRECTIONAL LIGHTS

MATERIAL --		<p align="center">CONFIDENTIAL</p> <p>The information hereon is confidential business information and may not be copied or used for any purpose unless permission is expressly granted in writing by Blue Bird Corporation.</p> <p align="center">Copyright 2008 All Rights Reserved</p>			
WEIGHT: --					
FINISH [] RAW [] PRIME [] PAINT [] OTHER COLOR: NAME _____ SPEC # _____ GLOSS % _____ NOTES:		Project	Blue Bird Corporation	SCALE	N/A
TOLERANCE ON ALL DIMENSIONS IS PLUS [] OR MINUS [] (UNLESS OTHERWISE SPECIFIED)		12743D	Fort Valley, Georgia, U.S.A.	REV	F
DO NOT SCALE		DIAGRAM, WRG, FEA 30117-01, 03, 05, 07, 09, 13, 15, 26, 27 W/30121-03, 04, 05, 10			
INACTIVATES NOS.		01681360		DR 10/2/00 BY DL	FORMAT B
				APP 10/17/00 BY DL	00032795
				SHEET 1/1	