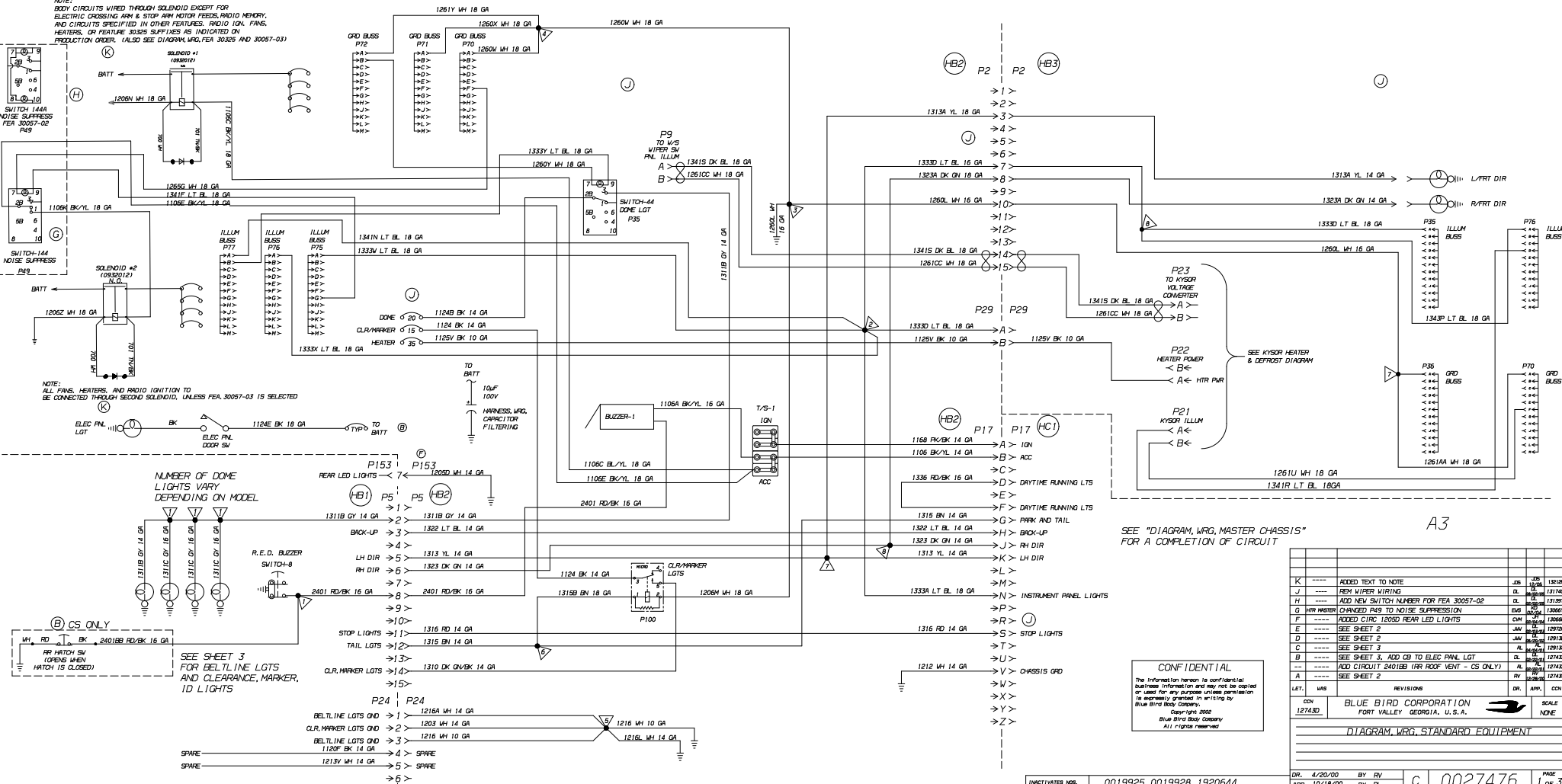


NOTE:
BODY CIRCUITS WIRED THROUGH SOLENOID EXCEPT FOR
ELECTRIC CROSSINGS ARM & STOP ARM MOTOR FEEDS, RADIO MEMORY,
AND CIRCUITS SPECIFIED IN OTHER FEATURES. RADIO IGN. PINS,
HEATERS, OR FEATURE 30325 SUFFICES AS INDICATED ON
PRODUCTION ORDER. (ALSO SEE DIAGRAM, WRG, FEA 30325 AND 30057-03)



REV.	DATE	DESCRIPTION	BY	CHKD.
K	----	ADDED TEXT TO NOTE	JEB	12/81
J	----	REM WIPER WIRING	DL	12/80
H	----	ADD NEW SWITCH NUMBER FOR FEA 30057-02	DL	12/81
G	----	CHANGED PINS TO NOISE SUPPRESSION	DM	12/80
F	----	ADDED CIRC. 1265D REAR LED LIGHTS	DM	12/80
E	----	SEE SHEET 2	JAM	12/79
D	----	SEE SHEET 2	JAM	12/79
C	----	SEE SHEET 3	AL	12/78
B	----	SEE SHEET 3, ADD CB TO ELEC PNL LGT	DL	12/78
A	----	ADD CIRCUIT 2401BB (RR ROOF VENT - CS ONLY)	RY	12/78
		SEE SHEET 2	RY	12/78

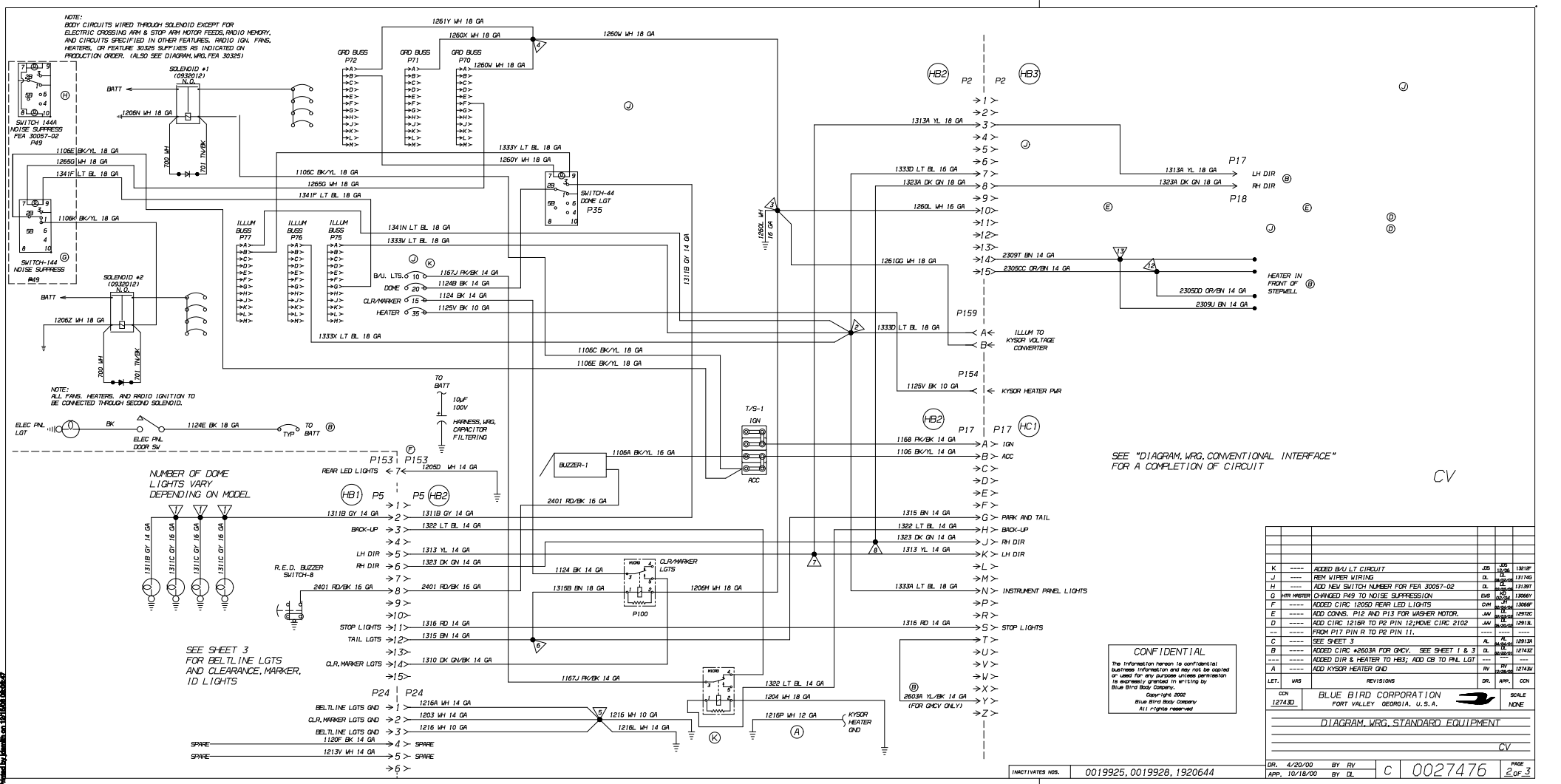
LET.	WAS	REVISIONS	DR.	APP.	CON.
CDN	12743D	BLUE BIRD CORPORATION FORT VALLEY GEORGIA, U. S. A.			SCALE NONE
DIAGRAM, WRG, STANDARD EQUIPMENT					

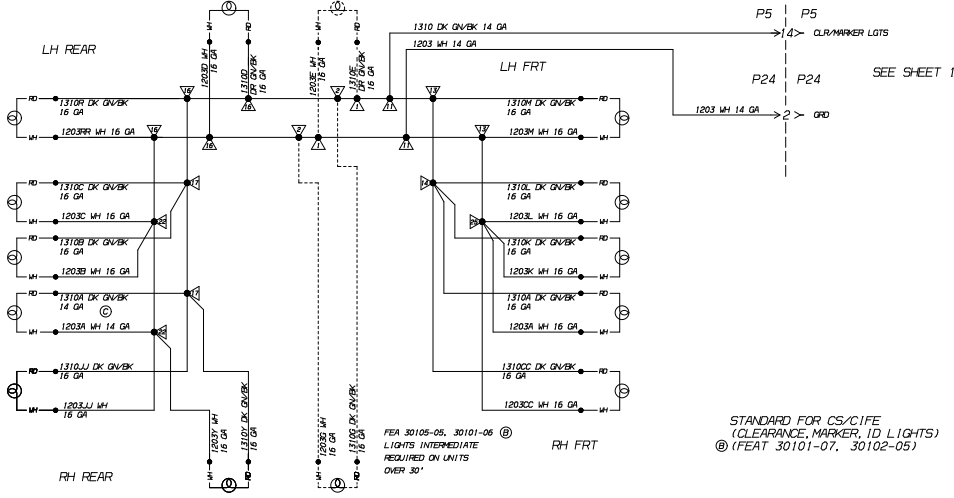
DR.	DATE	BY	CHKD.	PAGE
	4/20/00	RY		1 OF 3
	10/18/00	DL		

INACTIVE NOS. 0019925, 0019928, 1920644

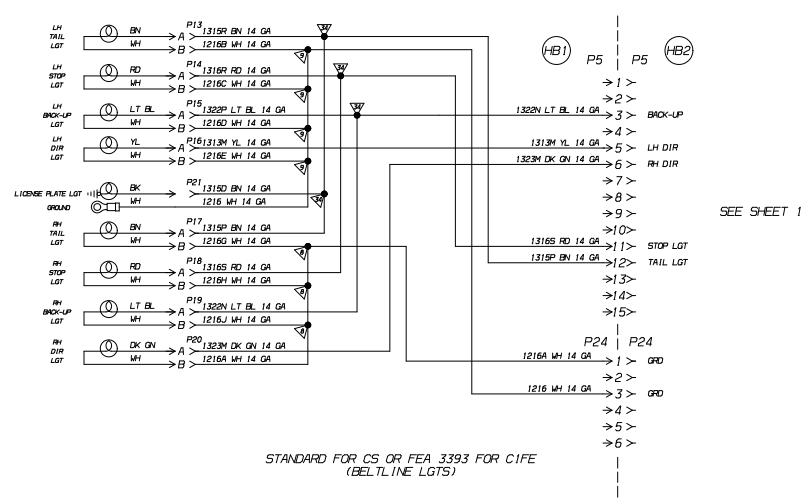
CONFIDENTIAL
The information herein is confidential business information and may not be copied or used for any purpose unless permission is expressly granted in writing by Blue Bird Body Company.
Copyright 2000
Blue Bird Body Company
All rights reserved.

Printed by Avanti on 12/18/00

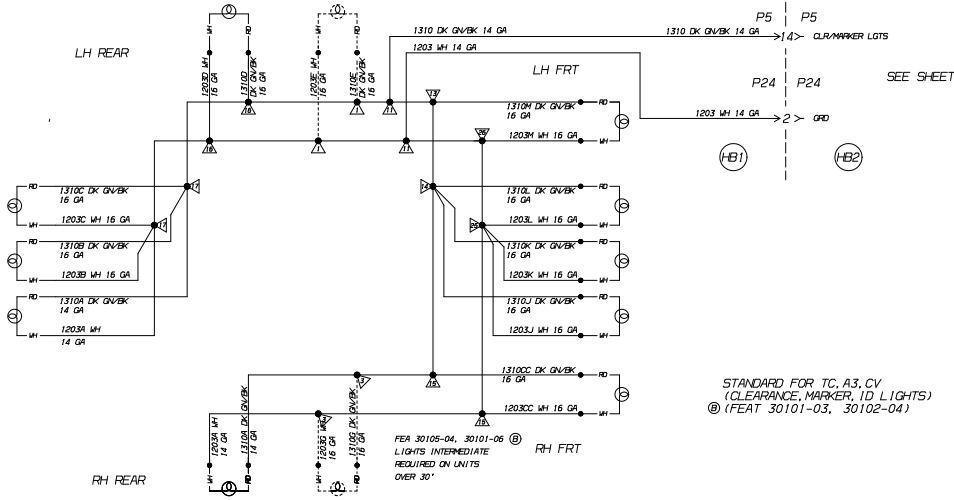




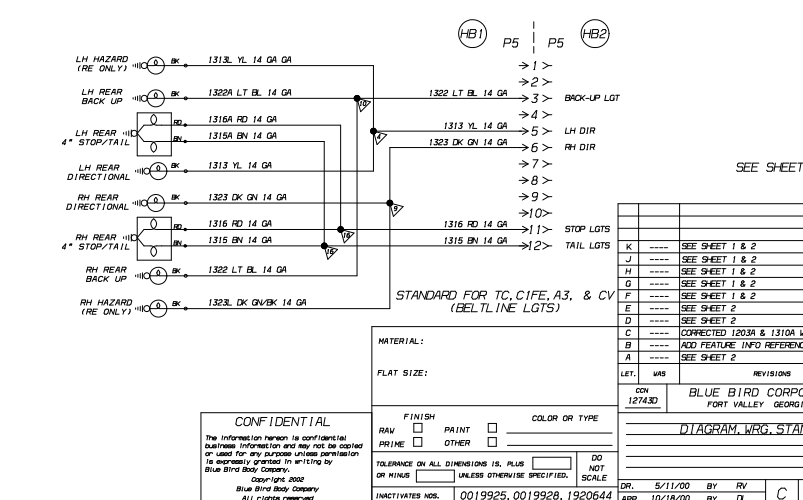
STANDARD FOR CS/C1FE
(CLEARANCE, MARKER, ID LIGHTS)
© (FEAT 30101-07, 30102-05)



STANDARD FOR CS OR FEA 3393 FOR C1FE
(BELTLINE LGTS)



STANDARD FOR TC, A3, CV
(CLEARANCE, MARKER, ID LIGHTS)
© (FEAT 30101-03, 30102-04)



STANDARD FOR TC, C1FE, A3, & CV
(BELTLINE LGTS)

MATERIAL:

FLAT SIZE:

FINISH: RAW PAINT PRIME OTHER

COLOR OR TYPE:

TOLERANCE ON ALL DIMENSIONS IS, PLUS OR MINUS UNLESS OTHERWISE SPECIFIED.

INACTIVATES NOS. 0019925, 0019928, 1920644

CONFIDENTIAL

The information herein is confidential business information and may not be copied or used for any purpose unless permission is expressly granted in writing by Blue Bird Body Company.

Copyright 2002 Blue Bird Body Company All rights reserved.

REV	DESCRIPTION	DATE	BY	CHK
K	SEE SHEET 1 & 2	JAN 08	DL	DL
J	SEE SHEET 1 & 2	JAN 08	DL	DL
H	SEE SHEET 1 & 2	JAN 08	DL	DL
G	SEE SHEET 1 & 2	JAN 08	DL	DL
F	SEE SHEET 1 & 2	JAN 08	DL	DL
E	SEE SHEET 2	JAN 08	DL	DL
D	SEE SHEET 2	JAN 08	DL	DL
C	CORRECTED 1203A & 1310A WIRE GA	JAN 08	DL	DL
B	ADD FEATURE INFO REFERENCE: SEE SHT 1	JAN 08	DL	DL
A	SEE SHEET 2	JAN 08	DL	DL

LET, WBS REVISIONS

CON 127430

BLUE BIRD CORPORATION
FORT VALLEY, GEORGIA, U.S.A.

SCALE NONE

DIAGRAM, WRG, STANDARD EQUIPMENT

DR. 5/11/00 BY RV

APP. 10/18/00 BY DL

C 0027476

PAGE 3 OF 3

Printed by Admin on 10/18/00 08:50:00